

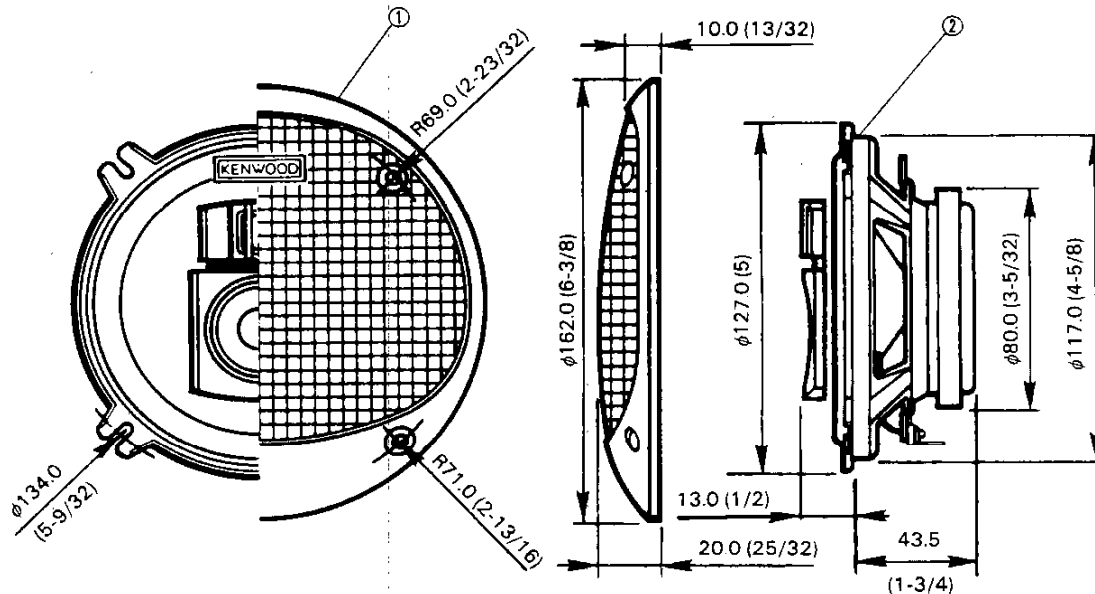
KFC-1281

SERVICE MANUAL

KENWOOD

© 1986-12 PRINTED IN JAPAN
B51-3111-00 (G) 2015

EXTERNAL VIEW



Unit: mm (inch)

SPECIFICATIONS

Speakers

- Woofer..... 170g (6 oz) Magnet
12cm (5") Water-resistant cone
- Mid-Range..... 41mm (1-5/8") cone
- Tweeter..... Horn-loaded disc type
- Peak power..... 50 watts
- Sensitivity..... 90 dB/w at 1m
- Impedance..... 4 ohms
- Insulated cable..... 4.5m (14.7ft) 2 pcs
- Weight per speaker with grille..... 610 g (1 lb 6 oz)

PARTS LIST

* New Parts
Parts without Parts No. are not supplied.
Les articles non mentionnes dans le Parts No. ne sont pas fournis.
Teile ohne Parts No. werden nicht geliefert.

| Ref.No. | New Parts | Parts No. | Description | Destination |
|---------|-----------|-------------|------------------|-------------|
| ① | | B06-0266-08 | FRONT GRILLE | E |
| ① | | B06-0267-08 | FRONT GRILLE | T |
| | | E30-1187-08 | SPEAKER CORD SET | |
| | | N99-1050-08 | SCREW SET | |
| ② | * | T15-0095-08 | SPEAKER | |

Handwritten signature
COPY